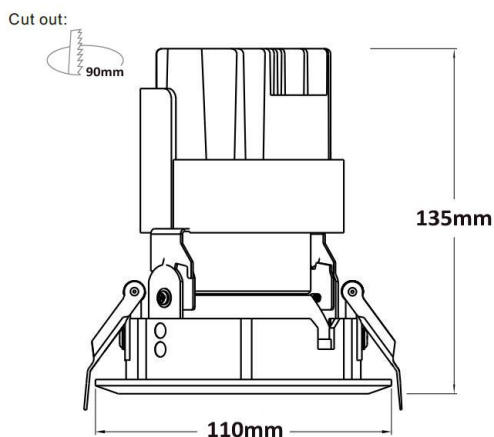


MF COB Down Light Specification

Model NO.: MF-B090015



Fixed COB Series

UGR:19 KN<10% CRI>83



ErP CE



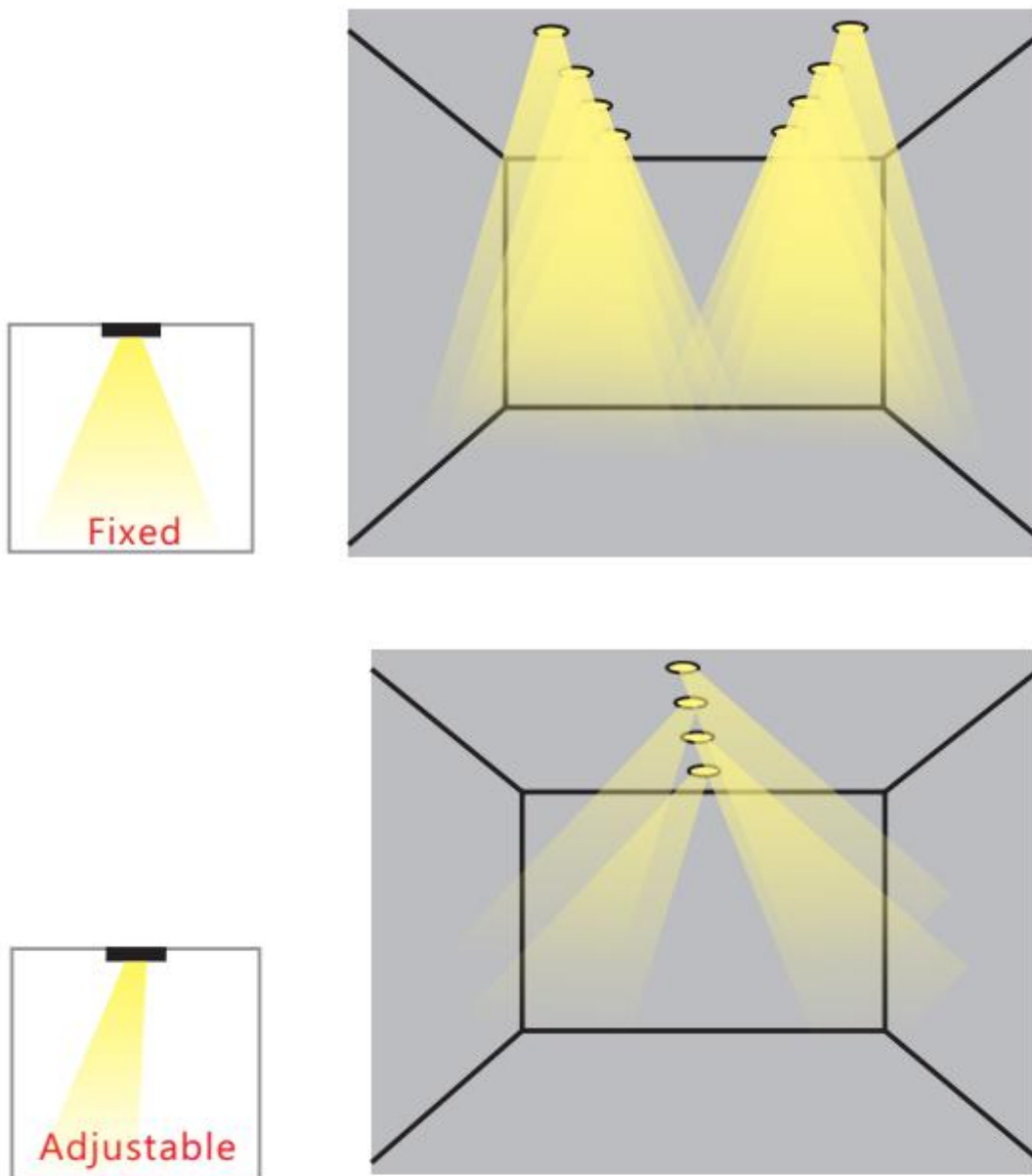
CREE

LIFUD

Narrow Beam Angle:



Adjustable/Fixed head available:



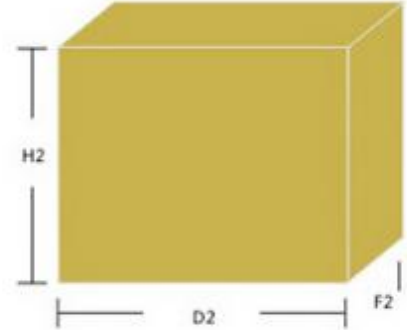
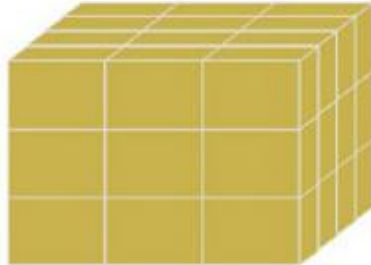
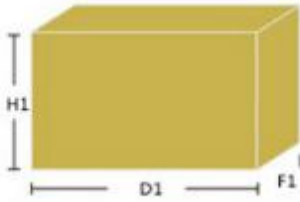
Product Parameters:

Input voltage	220-240Vac, 50hz/60hz
Product Size	Φ 110*135mm
Cut out Size	Φ 90mm
Power(watt)	15W
Color temperature	3000K / 4000K / 5000K
LED Chip	Cree COB(CXA1510)
LED Driver	Lifud
PF	≥0.95
Housing Colour	White RAL9003
Luminous Flux (lm)	1350lm@3000K, 1400lm@4000K, 1500lm@5000K
CRI (Ra)	>83
Lifespan	≥50000hrs
Beam Angle	10° / 15° / 24° / 38°
Material	Aluminum Alloy
Operating Temperature	-20°C ~50°C
Head type	Adjustable/Fix head
IP	IP44
Certificate	CE/ RoHS
Warranty Period	5 years

Package:



Packing Size: (CM)



12.5(D1)*12.5 (F1)*15cm(H1)/PCS

36PCS/CTN

54(D2)*41(F2)*49cm(H2)/36PCS

N.W: 26.5KG, G.W: 27.5KG

Job reference photos from Ming Feng

